



MKT Newsletter

November 5, 2014

Volume 3

EDITOR: DIANE VOIGT, ASSISTANT EDITOR: AMIE BECKWITH, TECHNICAL EDITOR: DARIN WERTS

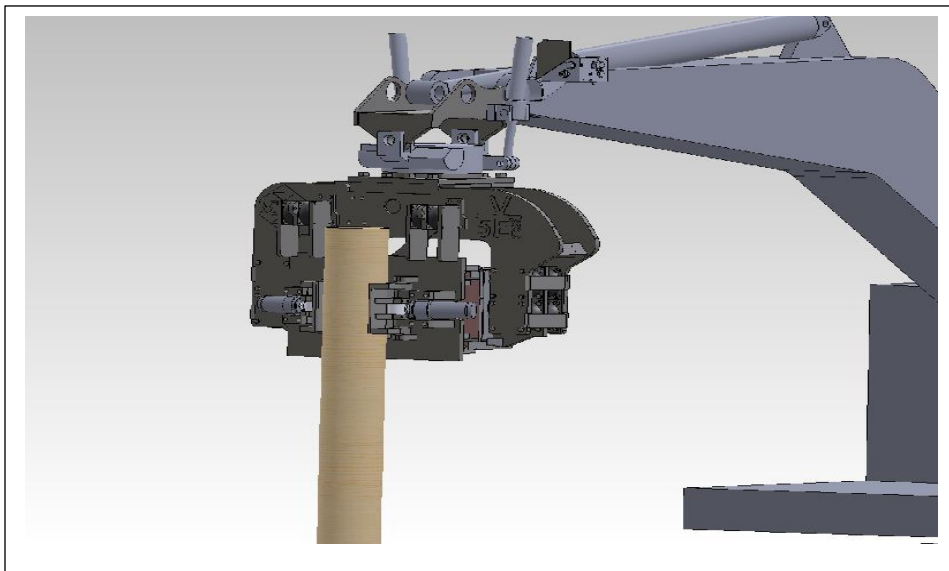
GETTING TO KNOW THE MKT/MVE TEAM

ENGINEERING NEWS

The Engineering Department is working on a request from our Coastal Distributors for a Timber Side Clamp Attachment for the ESC model hammers.

The attachment would bolt on in the place of the standard side clamp attachment giving the customer the ability to grab 11"-14" timber pile.

We are in the conceptual stages and have been working with Kristin at RPI Equipment to work on the desired size. RPI Equipment is seeing a lot of timber pile replacement after Hurricane Sandy.



Nick Whisler



Nick was hired into the Engineering Department in June 2014. He recently graduated with his bachelor's degree in Mechanical Engineering from the Missouri University of Science and Technology, formally UMR. Along with new product development and improvement responsibilities, he will be assisting the production and service teams. Before earning his degree, Nick started at MKT working part time for the service manager spraying weeds, painting, and servicing machines.

When Nick isn't working, he enjoys fishing, golfing, the outdoors and spending time with his new fiancé Jacque.

Our next newsletter will be out in July 2015. If you'd like to include a story or information in our next newsletter, please submit to Amie Beckwith @ abeckwith@mktpileman.com by June 20, 2015.



News from the Factory

MKT is currently finishing a V-52/HP700A. We have also begun manufacturing 100' of 8" x 27" leads for MRE along with 130' of 8" x 21" leads for MVE. We encourage you to be thinking ahead for your equipment needs, engine deliveries have begun to extend as we get into the holiday season.

If you think you may have a requirement it may be worthwhile to get your engine on order now to shorten lead times and lets us fit it into production in a timely manner.

Along with the V-52/HP-700A that MKT is building on spec, we have a brand new V-5Esc complete with side clamp in stock. MKT also has our ELS ready for rental or purchase. The EIS has the ability to handle a Drill, Diesel hammer or a Vibratory hammer.

Hot Topics / Up and Coming

Do to our success with Radio Remote Controls on our ESC line of vibratory drivers/extractors; we are researching the system for our mid-size and larger vibratory hammers. We would appreciate your honest feedback on the use of Radio Remote Controls on Crane hung vibratory hammers. Please contact Darin Werts, Nick Whisler or Chris Cayce with feedback.

dwards@mktpileman.com

nwhisler@mktpileman.com

ccayce@mktpileman.com

Website Information

As always please feel free to visit our websites for updated literature, photos, etc. If there is something you would like to see on our website, please send your request to Amie at abeckwith@mktpileman.com.

www.mktpileman.com

www.mve-stl.com

Happy Holidays!

As the holidays approach we would like to take this time to wish all our Distributors and Customers a Merry Christmas and Happy New Year! This year has brought changes at MKT/MVE and we appreciate your patience and support. Thank you from all of us at MKT/MVE!

New MKT V-5Esc Side Clamp



New MKT
V-5Esc